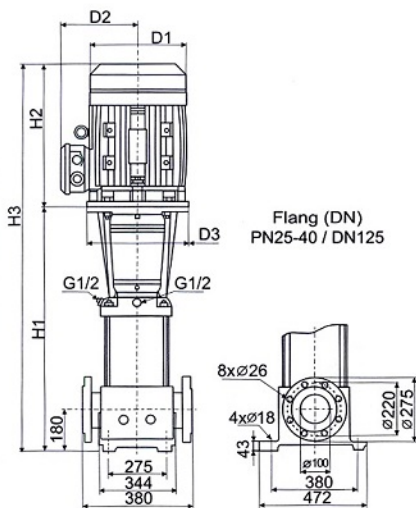


Vertical Multistage Centrifugal in - line Pump

Dimensions and weights - PCR 120



General Specification

Output size:	25 to 125 mm
Capacity:	0.7-180 m ³ /hr
Head:	275 m
Operation Temperature:	-15 to +120
Main Connection (1-[v/Hz]):	220-240 V, 50 Hz
Main Connection (3-[v/Hz]):	380-415 V, 50 Hz
Insulation Class:	F
Enclosure Class:	IP 55
Ambient Temperature:	50°C

Pump type	Motor		Pump Flanges (mm)	PCR						Net weight (kg)
	P [kW]	rpm		Dimension(mm)			D1	D2	D3	
				H1	H2	H3				
PCR 120-1-1	11	2900	125	834	505	1339	318	245	350	200.1
PCR 120-2-1	18.5			990	550	1540	318	245	350	245.1
PCR 120-2	22			990	580	1570	358	265	350	291.8
PCR 120-3	30			1145	660	1805	420	295	400	362.5
PCR 120-4-1	37			1301	660	1961	420	295	400	385.5
PCR 120-5-1	45			1460	690	2150	470	325	450	453.6
PCR 120-6-1	55			1642	770	2412	510	355	550	578.8
PCR 120-7	75			1797	845	2642	580	410	550	751.4